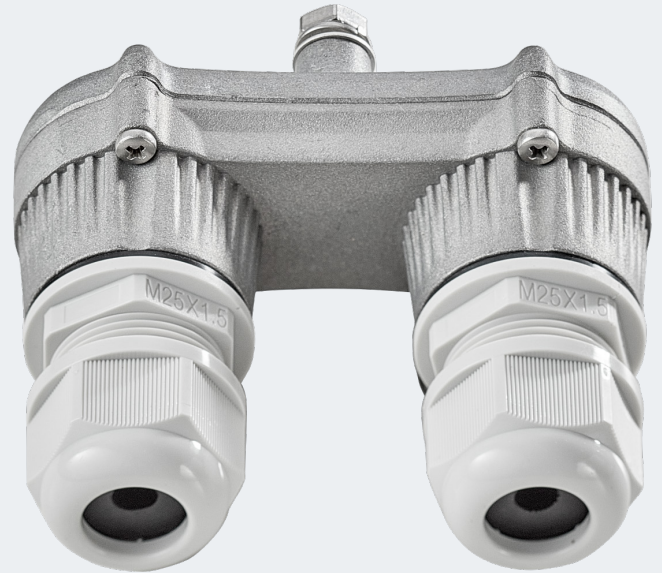


AUX-ODU-LPU-L is a bidirectional external outdoor Lightning Protection Unit for Infinet Wireless systems designed to withstand the toughest conditions and protect the outdoor unit or the 3rd party networking equipment installed indoors from sudden power surges induced by lightning strikes. Despite the fact every Infinet wireless device has a built-in lightning protection.

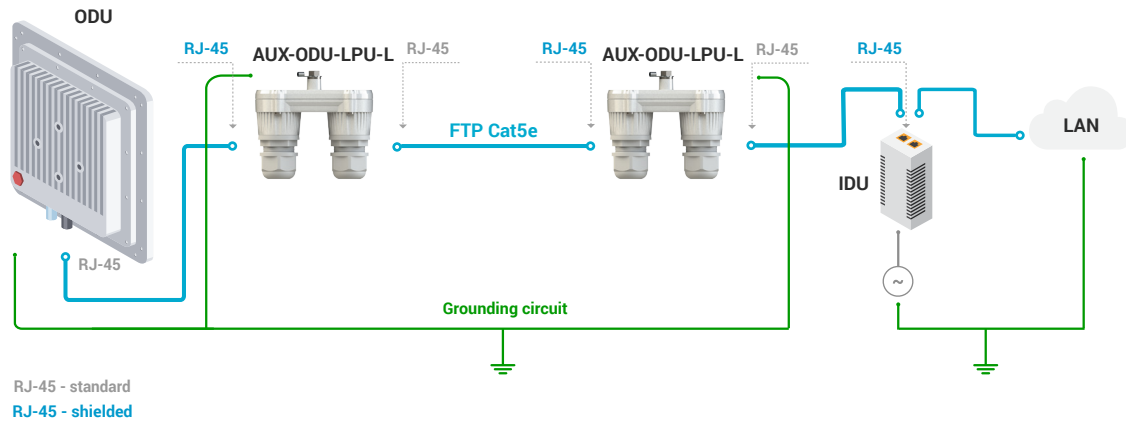
AUX-ODU-LPU-L, thanks to its superior GR-1089-grade protection, greatly reduces the risk of damage for the systems operating in harsh environments or difficult-to-reach locations.



Key Features

-  Compatible with all Infinet products
-  Water and dust protection: IP66/IP67
-  Gigabit Ethernet pass-through
-  Lightning protection: GR-1089
-  Designed to protect outdoor and indoor units from abrupt voltage surges
-  Extended temperature range: from -55°C to +60°C

Recommended Installation Layout



Specification

Parameter	Description																		
Compatible models	InfiLINK XG, InfiLINK XG 1000, InfiLINK 2x2, InfiMAN 2x2, Quanta 5, Quanta 6, Quanta 70, InfiLINK Evolution, InfiMAN Evolution																		
Connectors and Interfaces	<ul style="list-style-type: none"> • 2x Ethernet ports • Ground clamp 																		
Supported Ethernet Modes	10/100/1000 Mbps (Gigabit Ethernet pass-through)																		
Max operating voltage DC	150 V																		
Max frequency	125 MHz																		
Max linear current	2 A																		
Protection level C3 line-line	30 V																		
Pulse current D1 2*10/350us	0.5 ... 1 kA																		
Discharge nominal current line-line C2 8/20	75 A																		
Discharge nominal current line-ground C2 8/20	10 kA																		
Water and Dust Protection	IP66 and IP67																		
ETH IN and ETH OUT pinout	<table border="1"> <thead> <tr> <th>Pin</th> <th>1</th> <th>2</th> <th>3</th> <th>4</th> <th>5</th> <th>6</th> <th>7</th> <th>8</th> </tr> </thead> <tbody> <tr> <td>Data pair</td> <td>A+</td> <td>A-</td> <td>B+</td> <td>C-</td> <td>C+</td> <td>B-</td> <td>D+</td> <td>D-</td> </tr> </tbody> </table>	Pin	1	2	3	4	5	6	7	8	Data pair	A+	A-	B+	C-	C+	B-	D+	D-
Pin	1	2	3	4	5	6	7	8											
Data pair	A+	A-	B+	C-	C+	B-	D+	D-											
Compliance	<ul style="list-style-type: none"> • GR-1089 • IEC 61000-4-2 (ESD) 15kV (air),8kV (contact) • IEC 61000-4-4 (EFT) 40A (tp = 5/50ns) • IEC 61000-4-5 (Lightning) L5, 95A (tp = 8/20us) • ETSI ETS 300 386 																		
Size and Weight	45x92x55.5 mm, 0.13 kg																		
Operating temperature range	from -55°C to +60°C																		
Mounting	On mast																		
Enclosure material	Aluminum alloy																		
Packing List	<ul style="list-style-type: none"> • Cable gland (2 pcs.) • Standard RJ-45 connector • Shielded RJ-45 connector • Clamp 																		