

IDU-LA-G(V.01)

IDU-LA-G(V.01) is an indoor DC/DC injector with lightning protection. It greatly reduces complexity of the deployment in the cases where DC source is available thus reducing both capital expenditures and total cost of ownership.

Built-in lightning protection protects units connected to IDU-LA-G(V.01).


IDU-LA-G(V.01) can be used to protect units connected to the second Ethernet port of the ODU and also to connect “third-party” DC power supplies.



Key Features

 Compatible with all Infinet products

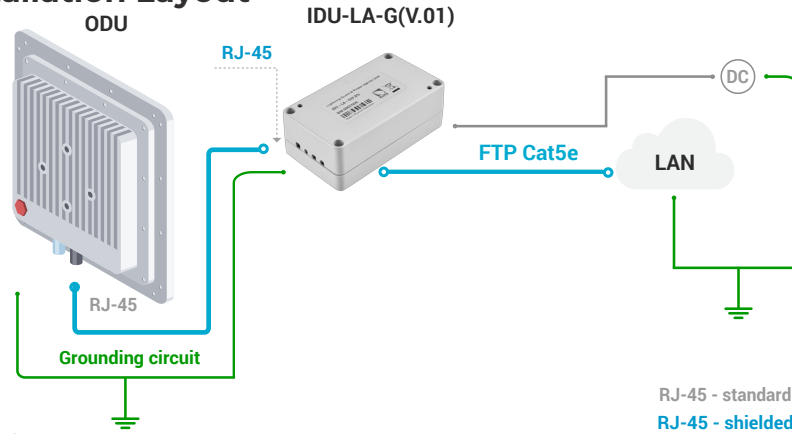
 Gigabit Ethernet pass-through

 Operating temperature range: from 0°C to +40°C

 DC power source

 Output voltage the same as input

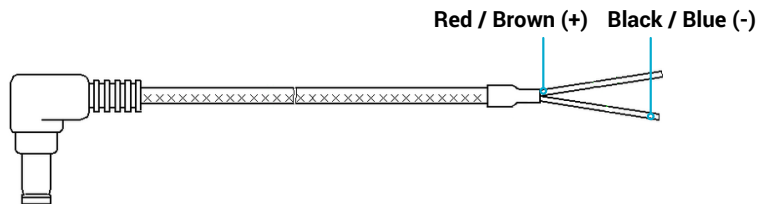
Recommended Installation Layout



Connectors description



Cable assembly Inf-cable-001



Specification

Parameter	Description
Compatible models	InfiLINK XG, InfiLINK XG 1000, InfiLINK 2x2, InfiMAN 2x2, Quanta 5, Quanta 6, Quanta 70, InfiLINK Evolution, InfiMAN Evolution
Output Voltage	The same as input
Supported Ethernet Modes	10/100/1000 Mbps (Gigabit Ethernet pass-through)
Pin assignment and polarity	1/2 (+), 3/6 (-), 4/5 (+), 7/8 (-)
DC Range	Acceptable input DC range depends on the specific ODU model: <ul style="list-style-type: none"> Xm, Um, Mmx, Mmxb, Omx, Omxb, Qmxb, Q5, Q6, Q70, E5, E6: ±43... ±56VDC Smb, Smn, Lmn models: +9... +56 VDC (positive voltage only)
Size and Weight	115×65×40 mm, 0.15 kg
Operating temperature range	from 0°C to +40°C
Packing List	<ul style="list-style-type: none"> Standard RJ-45 connector Shielded RJ-45 connect Cable assembly Inf-cable-001