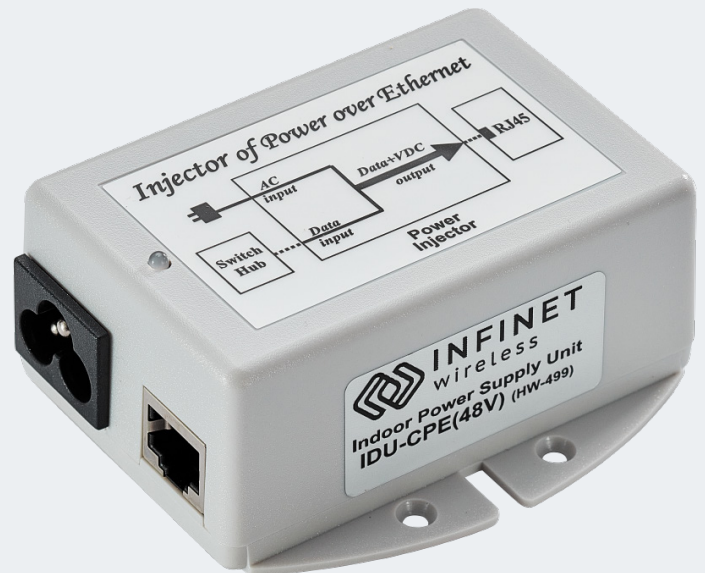



IDU-CPE is an indoor AC/DC PoE injector. It is designed only for R5000-Smn, R5000-Lmn and AUX-ODU-SYNC synchronization hub and has built-in lightning protection.


IDU-CPE is powered by an AC supply in the 100-240 V range. Built-in lightning protection protects units connected to injector.



Key Features

 Compatible with R5000-Smn, R5000-Lmn, AUX-ODU-SYNC

 Fast Ethernet pass-through

 Operating temperature range: from 0°C to +40°C

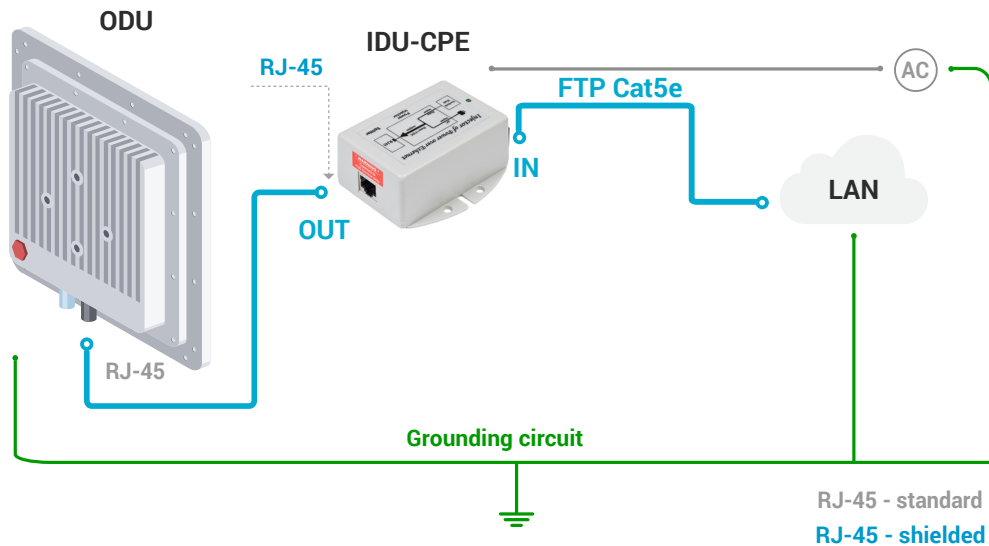
 AC power source

 Input voltage: 100 - 240 V

 Output voltage: +48 V

 Consumption: 24 W

Recommended Installation Layout



Specification

Parameter	Description
Compatible models	R5000-Smn, R5000-Lmn, AUX-ODU-SYNC
Input Voltage	100 - 240 V
Output Voltage & Current	+48 V, 0.5 A
Consumption	24 W
Supported Ethernet Modes	10/100 Mbps
Connectors and Interfaces	<ul style="list-style-type: none"> • "ETH IN" - Ethernet input (Data only) • "ETH OUT" - Ethernet output (Data+VDC) • "PWR" - AC Input
Pin Assignment and Polarity	<ul style="list-style-type: none"> • "ETH IN": 4, 5, 7, 8 - not connected • "ETH OUT": 4, 5 (+VDC) and 7, 8 (-VDC)
Lightning protection	<ul style="list-style-type: none"> • IEC61000-4-2 (ESD) ± 15kV (air), ± 8kV (contact) • IEC61000-4-4 (EFT) 40A (5/50ns) • IEC61000-4-5 (Lightning) 20A (8/20μs)
Size and Weight	87x78x36,5 mm, 0.15 kg
Operating temperature range	from 0°C to +40°C